



# Submersible Pump

Electric Motor Driven

## Models S6A1 460V 3P and S6A1 575V 3P

### Size 6"



#### PUMP SPECIFICATIONS

- Diffuser:** Ductile Iron No. 80-60-03; Maximum Operating Pressure 77 psi ( 5,4 kg/cm<sup>2</sup>).\*
- Impeller:** Gray Iron No.30.
- Suction Head:** Ductile Iron No. 80-60-03.
- Motor Housing:** Aluminum Alloy No. 356-T6.
- Intermediate Bracket:** Aluminum Alloy No. 356-T6.
- Strainer Plate:** Aluminum Alloy No. 356-T6.
- Motor Shaft:** Stainless Steel Type 17-4 PH.
- Bearings:** Upper, Open Single Row Ball Bearing.  
Lower, Two Seals, Double Row Ball Bearing.
- Discharge Flange:** Gray Iron No. 30.
- Gaskets:** Cork with Nitrile Binder (NC710) and Vegetable Fiber.
- O-Ring:** Neoprene.
- Wetted Hardware:** Standard Plated Steel and Stainless Steel.
- Strainer:** Urethane Coated Steel; 59% Open Area, 1.0" (25,4 mm) Square Openings.
- Hoisting Bail.** Urethane Coated Steel.

#### Standard Equipment

**NEMA Type 3R Rainproof Control Box.** Provides On-Off, Circuit Breaker and Motor Overload Protection. (See Section 130, Page 95.)

#### Optional Equipment

##### Liquid Level Control

- a. Turtle Type Pressure Activated Level Switch. (See Sec. 130, Page 150.)
- b. Float Activated Level Switch. (See Sec. 130, Page 150.)

**Staging Adapter Kit:** Part No. 48272-008.

#### MOTOR/CABLE SPECIFICATIONS

- Motor:** Oil Filled Enclosure; 60 H.P.; 1750 R.P.M.;  
Three Phase: 460/575 Volt, 60 Hz,  
65/52 Full Load Amps, 45 kW (Max.)
- Power Cable:** 6 Wire, Type GGC, 6 AWG; 3 Power Conductors,  
and 3 Ground Conductors.  
Nominal Length 50 Feet (15 m) Standard.  
(Specify Alternate Length at Time of Order.)
- Recommended Generator Size:** 100 kW Across-the-Line Start.  
50 kW for Reduced Voltage Starting.

#### SEAL SPECIFICATIONS

Tandem, Oil Lubricated.

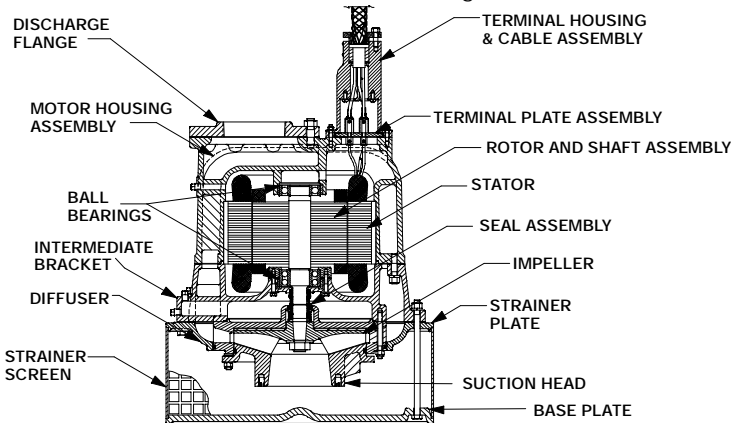
**Upper Seal:** Type 2, Mechanical. Carbon Rotating Face. Ceramic Stationary Face. Buna-N Elastomers. Stainless Steel Type 18-8 Cage and Spring.

**Lower Seal:** Type 2, Mechanical. Tungsten Titanium Carbide Rotating and Stationary Faces. Stainless Steel Type 316, Stationary Seat. Fluorocarbon Elastomers (DuPont Viton® or Equivalent). Stainless Steel Type 18-8 Cage and Spring.

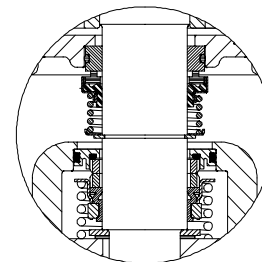
Maximum Temperature of Liquid Pumped, 122°F (50°C).\*



**Do not use in explosive atmosphere or for pumping volatile flammable liquids.**



#### SEAL DETAIL



\* Consult Factory for Applications Exceeding Maximum Pressure and/or Temperature Indicated.



THE GORMAN-RUPP COMPANY • MANSFIELD, OHIO

GORMAN-RUPP OF CANADA LIMITED • ST. THOMAS, ONTARIO, CANADA

Specifications Subject to Change Without Notice

Printed in U.S.A.

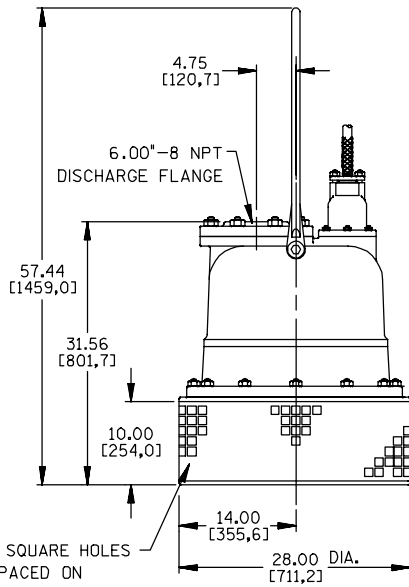
**Specification Data**

APPROXIMATE  
DIMENSIONS and WEIGHTS

NET WEIGHT:  
SHIPPING WEIGHT:  
EXPORT CRATE:

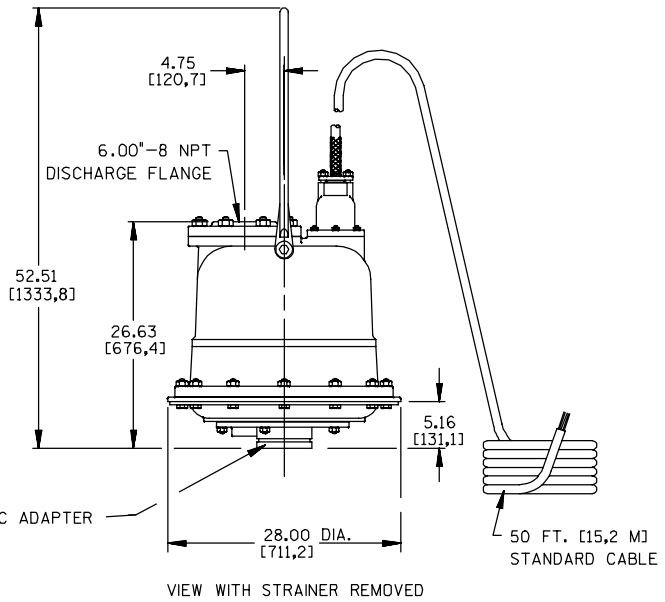
986 LBS. (447 KG.)  
1070 LBS. (485 KG.)  
35.2 CU. FT. (1,0 CU. M.)

SECTION 130, PAGE 1360

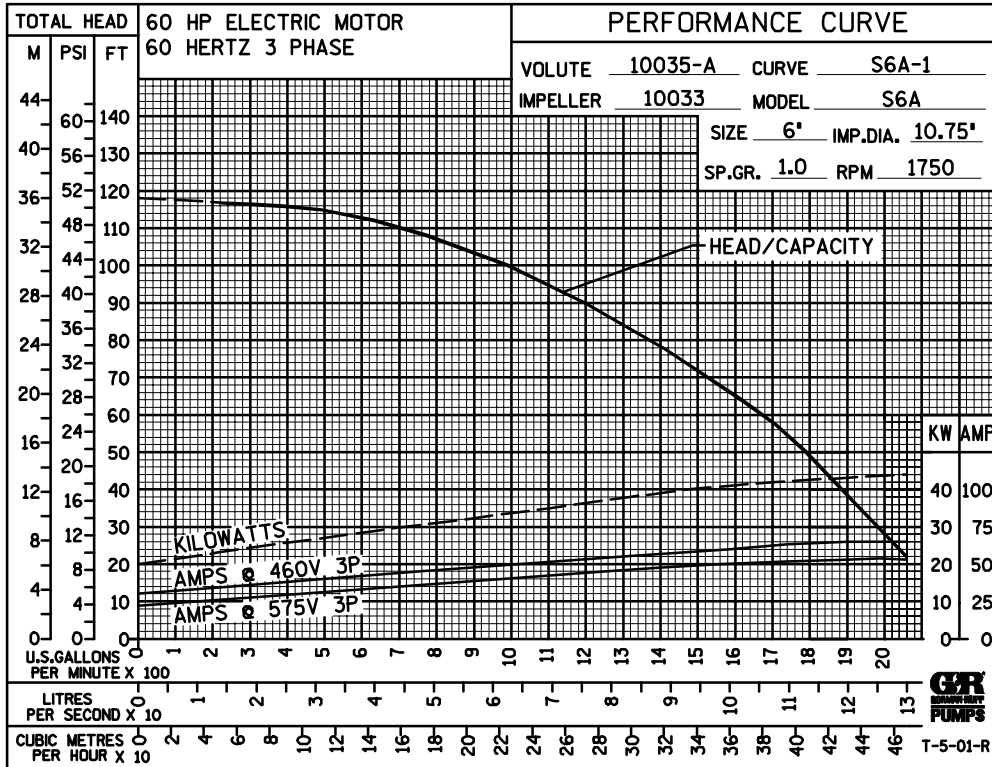


SUCTION:  
1.00 [25,4] SQUARE HOLES  
EQUALLY SPACED ON  
1.25 [31,8] CENTERS

DIMENSIONS:  
INCHES  
[MILLIMETERS]



VIEW WITH STRAINER REMOVED



THE GORMAN-RUPP COMPANY • MANSFIELD, OHIO

GORMAN-RUPP OF CANADA LIMITED • ST. THOMAS, ONTARIO, CANADA

Specifications Subject to Change Without Notice

Printed in U.S.A.